

## Mark Your Calendars

Come join us for Study & Worship Saturday mornings at 10 a.m., Prayer meetings on Wednesday at 7 p.m. and for the following.

- ♦ Feb 25 - Sat @ 1:00 PM: SS Mini-Potluck and Sabbath School Council
- ♦ Mar 4 - Sat @ 2:30 PM: Helping Hands Project (at ministry warehouse)
- ♦ Mar 4 - Sat @ 3:30 PM: Healthy Resolutions Group

Walk: Whitewater (Low Desert)

- ♦ Mar 11 - Sat @ 1:00 PM: Fellowship Potluck
- ♦ Mar 11 - Sat @ 8:00 PM: Farewell
- ♦ Mar 12 - Sun @ 8:00 AM: Church Work Bee (Deacons and all church family)
- ♦ Mar 12 - Sun @ 9:00 AM: Yard Sale
- ♦ Mar 15 - Wed @ 8:00 PM: Church Board Meeting
- ♦ Mar 25 - Sat @ 1:00 PM: Mini-Potluck: hosted by Children's Ministries

- ♦ Mar 25 - Sat @ 2:00 PM: Deaconesses' Meeting
- ♦ Mar 25 - Sat @ 3:00 PM: Children's Ministries Field Trip
- ♦ Apr 1 - Sat @ 2:30 PM: Helping Hands Project (at ministry warehouse)
- ♦ Apr 2 - Sun @ 8:00 AM: Church Work Bee (Deacons and all church family)

February 2017

# COLTON SEVENTH-DAY ADVENTIST CHURCH NEWSLETTER

## Coming Up!



**Sabbath School Council** will convene on February 25th at 1:00 p.m. This will include a mini-potluck so if you are a Sabbath School teacher please plan to attend and bring food to share.



Our church has volunteers visiting the **Helping Hands Pantry** warehouse on the first Sabbath of every month. March 4th is the next opportunity to serve our neighbors. Meet our church and other helpers there at 2:30 p.m.



Here's your opportunity to stretch your legs and enjoy beautiful scenery with great company. Gather up your hiking shoes, and day packs (filled with water, snacks and light jacket) and meet Jerry Johnson at the trailhead for **Healthy Resolutions Group Hike**: Whitewater (Low Desert) Sabbath afternoon March 4 at 4:00 p.m.



Our church will officially bid the **Mataafas Farewell** on March 11th at 8:00 p.m.



Bring your hard hat and a willing heart to the next **Work Bee** on Sunday, March 12 at 8:00 a.m. Maintaining our facility is an act of worship!



Got stuff? Got stuff you don't want? Sunday, March 12 is your opportunity to sell off those things you just don't use or want any more. Our church is located at a prime location for a **Yard Sale**. Load up, and bring those items for a 9:00 a.m. start.

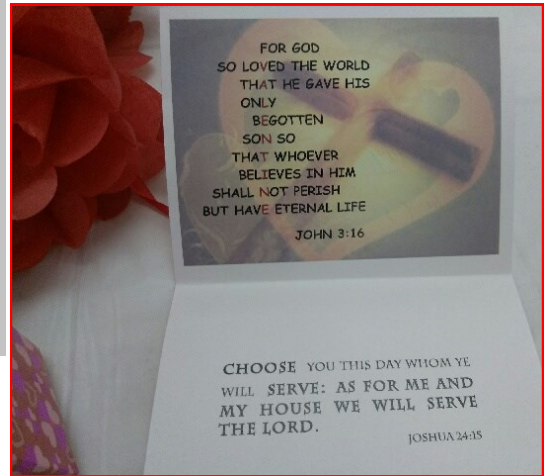


Calling all board members! **Board Meetings** will be on March 15th beginning at 8:00 p.m. "Where there is no guidance, a people falls, but in an abundance of counselors there is safety." Proverbs 11:14



March 25th Children's Ministries is hosting a **Mini-Potluck and Field Trip**. We all know the best part of school was/are the field trips! It doesn't matter your age, come and bring friends and enjoy. The food starts a 1:00 p.m. the field trip at 3:00 p.m.

# Valentine's Potluck





Sabbath, February 11 the social committee and friends hosted the annual Valentine's Day Potluck. Women's Ministries encouraged the ladies to wear hats and the men to wear bow ties. The extra attire added a little more class to our church service and potluck. Although Valentine's Day is famous for the celebration of romantic love it encompasses all the love we have for our family, and friends as well. But most of all it is a good time to remember the love Jesus has for us and what He did for us out of love.

Our hearts were a little heavy this year during our Valentine's celebration. You see, it was announced in the church service that our beloved Pastor Mataafa and Eunite will be moving to Sacramento to begin a new chapter in their ministry. We will miss them both personally and corporately. They have been tireless leaders and are real, Christ-filled individuals. May God bless and



keep them in their new location.

*Kristi Cruise*

*Photos by Donna Moura*



## Love

What is Love?  
Here are a few  
key words and  
phrases from the  
dictionary:

- ◇ Commitment
- ◇ A feeling
- ◇ Action
- ◇ Endearment
- ◇ Dear
- ◇ Idolize
- ◇ Enjoy greatly
- ◇ Attachment
- ◇ Bonding
- ◇ Fondness
- ◇ Interest
- ◇ Worship
- ◇ Think the world of
- ◇ Tenderness
- ◇ Warmth
- ◇ Intimacy
- ◇ Beloved
- ◇ Sweet
- ◇ Like very much
- ◇ Inclination for
- ◇ Hold very dear
- ◇ Sexual attachment

The Bible describes God as love. In 1 John 4:8-9 "God is love. This is how God showed his love among us: He sent his one and only Son into the world that we might live through him. This is love: not that we loved God, but that he loved us and sent his Son as an atoning sacrifice for our sins." God loves you!

Most of the religions through history have had "gods" that demanded obedience from their subjects, but the "gods" had no love for their subjects. These gods required sometimes strange and sometimes horrendous things from their subjects to simply appease them. But there was no love. Yet John says again in 1 John 4:16 "God is love." God doesn't just have love, He is love. Everything He does is done in love. Unlike pagan gods the true God loves us first. 1 John 4:19 says, "We love because he first loved us."



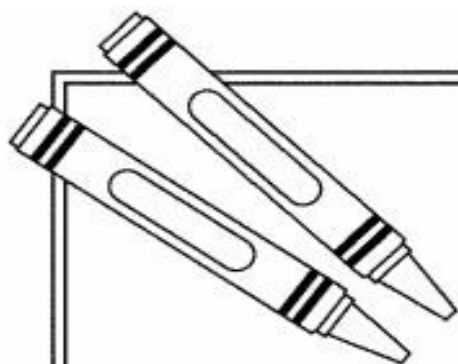
The Queen of Sheba came to see Solomon because of the reports she had received. In 1 Kings 10:6-7 after seeing Solomon's palace and the temple of God, and spending time with Solomon, the Queen said, "the report I heard in my own country about your achievements and your wisdom is true. But I did not believe these things until I came and saw with my own eyes. Indeed, not even half was told me..." This is true of God's love as well, no matter how much I tell you won't understand until you "taste and see." (Psalm 34:8)

I could spend hours citing Bible verses. Yet this would not begin to demonstrate God's love for you! Just as the Queen of Sheba did not fully understand the splendor of Solomon's kingdom we have only a small understanding of God's love for us. Jesus used every relationship on earth to describe His love for us. (king, master, servant, father, mother, brother, friend, lover) Why? Because no one description is enough! Even if you take all the love you feel for

your spouse, your children, your siblings, and your friends and bundled it together it would be like a mole hill of love compared to God's Mount Everest of love for you. Why else would Jesus leave the perfection and love of heaven to come to our earth. To our earth, full of pain and disappointments. To us who would rather kill Him than love Him. He would only do it because of love. This love can fill your need. He can fill your loneliness, your sadness. He can fill you with hope, he can replace your fear with peace. He can do all things. Valentine's day is over, but God's love lasts forever.

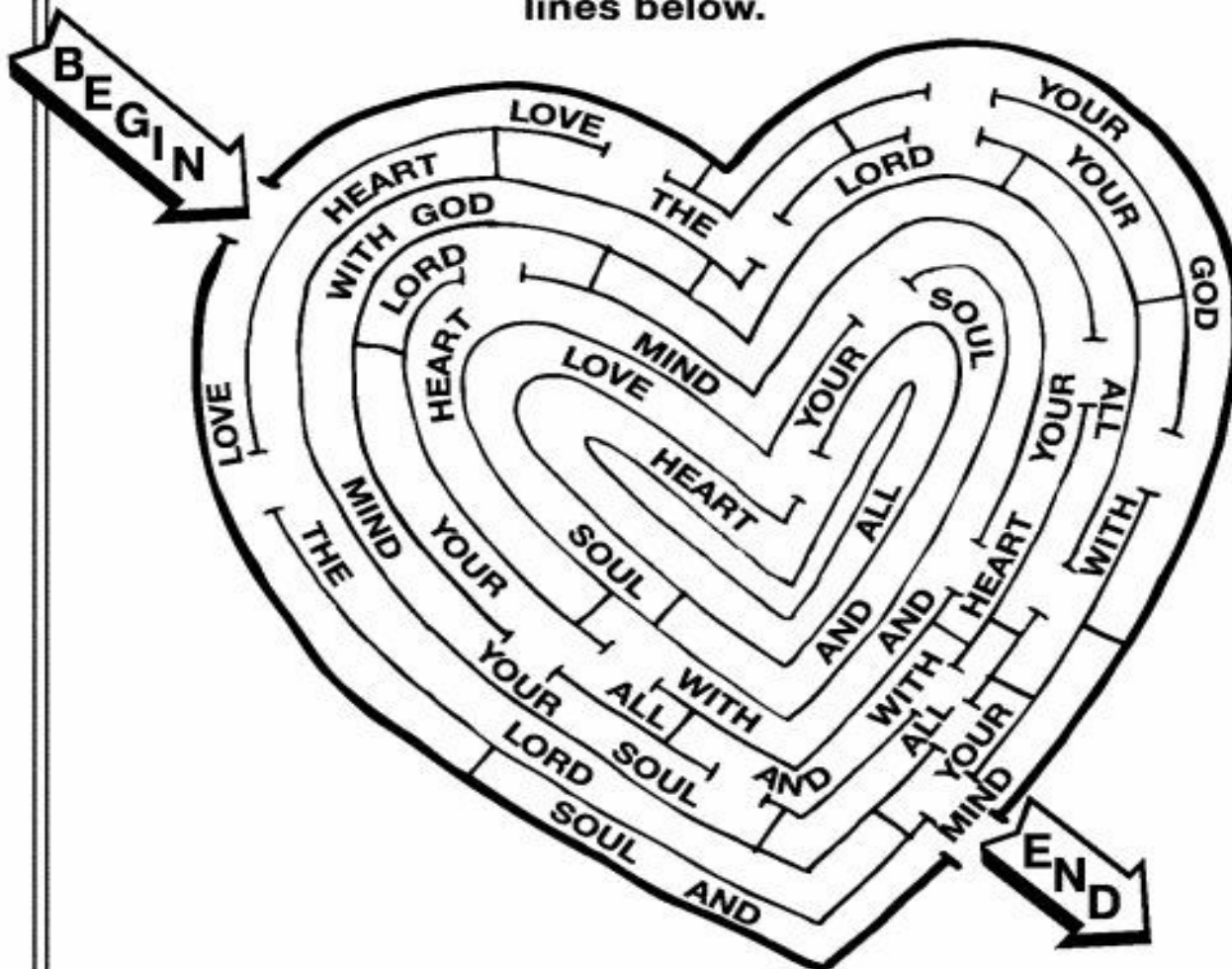
*Kristi Cruise*





# Just for **KIDS**

Find the correct path through the heart below. Write the words in order, as you find them, on the lines below.



“ \_\_\_\_\_  
 \_\_\_\_\_  
 \_\_\_\_\_  
 \_\_\_\_\_”

Matthew 22:37

# Agape Feast



For those who are not familiar with the tradition of an “Agape Feast”, it is a special Christian fellowship event which combines the traditional communion service with a simple communal meal shared by the entire congregation. On Friday evening, January 27, the Colton SDA Church family gathered in the church Sanctuary, where they first were presented with a live-action depiction of the story of Moses and the burning bush, featuring Ken Nelson as Moses and Pastor Art Bell as the voice of God. The evening’s activities continued with a devotional talk by Pastor Mataafa; a ceremonial burning of papers representing the challenges experienced by each person who seeks to walk with God; a family-style foot-washing service in the Sanctuary; a simple meal at the “family table” set up in the Fellowship Hall; an open shar-

ing time for testimonies from anyone who wished to speak; and the Ordinances of the Bread and of the Wine, with the emblems distributed around the Agape table. Overall, the evening was a unique blend of social time spent with cherished friends, and spiritual time shared between the church family and the Lord.

*Jerry Johnson*  
*Photos Jerry Johnson*



**Colton Seventh-day  
Adventist Church**

Mailing Address

880 W. Laurel Street  
Colton, CA 92324

Street Address

1291 Rancho Avenue  
Colton, CA 92324

Phone: 909-825-9344

**We're on the Web!**

[coltonadventist.adventistfaith.org](http://coltonadventist.adventistfaith.org)

---

## My Father's Amazing World - Venom Part 2

Here's some quick facts about this month's animal. Can you figure out what it is?

- Their venom is the most expensive liquid on earth. If you choose to milk this creature you can earn 36,000,000 per gallon. This venom is used in pain medicines.
- There are almost 2,000 species, but only 30 or 40 have strong enough venom to kill a person.
- Despite their venom they are sold as pets in stores.
- Even new born ones have venom so do not underestimate their size.
- Vary in size from less than an inch to 12 inches in length.
- Their weight also varies from half an ounce to three and a half ounces.
- Arizona has the most dangerous one in North America.
- They can be frozen over night and then de-thaw and walk away in the morning.
- Are great at reflecting radiation, which makes their chances of surviving a nuclear attack much higher than that of most other animal species.
- Are closely related to spiders, mites, and ticks.
- Their babies ride on their mother's back until the first molt.
- Females are usually larger than males.
- Occasionally, the female even kills and eats the male after mating.
- They are found on six of the seven continents.
- Have up to 10 eyes, though they can't see very well.
- They shed their exoskeleton up to 7 times as they grow to full size.
- Can eat a massive amount of food in one meal. Their large food storage organs, together with a low metabolism rate and an inactive lifestyle means that if necessary they can survive 6-12 months without eating again.
- They rely on vibrations from their surroundings to help them determine what is taking place in their environment.
- They live in the dirt, in burrows.
- They glow a green color when you place them in ultraviolet light.
- They like to hunt on windy days when their prey is blown to the ground.
- The Bible mentions them in 6 books and in 11 verses. Deuteronomy 8:15 mentions them in connection with God's protection of the Israelites in the wilderness. Rehoboam mentions them to make himself look powerful to the tribes of Israel. (1 Kings 12:11, 14 and 2 Chronicles 10:11, 14) God mentions them as He is encouraging Ezekiel to complete his calling. (Ezekiel 2:6) Jesus mentions them to His disciples as part of the authority He gave them. (Luke 10:19) In Luke 11:12 it is mentioned in connection with prayer. Revelation mentions them three times in chapter 9 to describe the power of evil and judgment.

If you haven't figure out which animal this is look up these verses and soon you will know.

*Kristi Cruise assisted by JayJay and Gigi Cruise*

National Geographic, [www.scopysweep.com](http://www.scopysweep.com), [beyondtype1.org](http://beyondtype1.org), [www.sciencekids.co.nz](http://www.sciencekids.co.nz), [www.wildrepublic.com](http://www.wildrepublic.com), Strong's concordance

## Distribution Dates

The Newsletter will be published on the dates below.

March 18

April 29

May 27

June 24

August 19

September 30

October 28

November 18

December 30

If you would like to contribute please submit at least 5 days in advance of distribution date. Please send via e-mail at [jrklijcruise@sbcglobal.net](mailto:jrklijcruise@sbcglobal.net).